

GMX

PITCHMARKING MACHINE

INSTRUCTION MANUAL
& SPARE PARTS LIST



Bowcom™

ADVANCED SPORTS LINE MARKING

www.bowcom.com
t: +44 (0) 29 2038 8349

GMX – INSTRUCTIONS FOR USE

**** New battery may be partially charged, fully charge before use**

**** Ensure spray switch connected inside control box (see maint-page 2)**

- 1) Ensure power turned off on both pump isolator switch (on control panel) and spray switch (on handle bar).
- 2) Unplug and remove 2 x connectors (top of paint tank). Remove paint tank (using front and rear recesses) by lifting out back first, then the front.
- 3) Make up paint mix (using paint concentrate and water) – using **only Bowcom** paints. Pour into tank through integral basket filter.
- 4) Replace paint tank lid and place onto GMX machine, re-connecting both plug-in connectors (ensure matching sides-colour coded).
- 5) When closing bonnet with connectors attached to tank, carefully push surplus hose down back of tank to avoid restricting bonnet closure.
- 6) Fill cleaning bottle with tap water (located on top of control panel).
- 7) Ensure direction tap is set to **Paint** and recycle tap is set to **spray**.
- 8) The machine is now ready to mark a line.
- 9) Set the spray limit plates to the required line width. Ensure that the spray gun is set high enough for the paint spray to hit the limit plates.

NB. To locate the spray head inside the frame – use the right-hand stub
(from behind machine)

To locate the spray-head outside the frame – use the left-hand stub
(from behind machine)

NB. For offset (left or right side) spray marking – use the extended spray bar
(optional extra).

- 10) Turn on the pump isolator switch (located on control panel) – observe the volt meter reading (12 volts). If too low, place battery on **charge**.*
- 11) To activate pump, use the button located on the handle bar. This can be used in the **locked-on** position or **Hold-position** (using a light finger touch).

NB. The push button spray switch is positioned on the right side of the handle, this can be moved to the left side if required.
- 12) **To clean the machine:** Turn off pump. Turn the paint/water tap to **water** (located next to the water bottle inside control box).

13) Turn on paint spray switch (as when spraying paint) and water will appear at the nozzle. On sight of water, turn off. Also spray water whilst on the **re-cycle** mode (to clean re-cycle pipes). Remove and clean top-hat filter – inside spray head above the nozzle.

NB. A full water bottle should equal approx. 3 x cleans.

14) Should paint be left in the paint tank overnight, it can be agitated by using the **recycle** option on the tap inside the control box (to the right of the pump). Turn pump on as normal and the paint will re-circulate back into the tank. Turn off when fully re-mixed.

15) NB. For ease & weight of transporting the GMX, remove paint tank (if full). When disconnected, always place the tank connectors into the slots provided on underside of bonnet.

* **NB. Battery Charger** Use Battery Charger provided. Place 3-pin plug into 240 volt mains socket. Plug other end (12 volt) into socket on side of **Control Box**. A full charge will take up to 10 hours. Full battery should operate pump for several days (dependent on use).

** **NB. Handle & Switch** Handle height can be adjusted for comfort of user and can also be removed for ease of transportation.
NB. For handle removal, disconnect 2 x bullet connectors inside control box (terminals are both common & not sided)

MAINTENANCE

1) During prolonged periods of non-use, the paint tank should be washed out manually and drained (using black rubber plug on rear of tank). Also clean the basket filter (in top of tank) and the paint filter (on end of paint suction tube)

2) Remove all 3 x plug-in connectors (2 on tank, 1 on spray hose coil) and lubricate with WD40 on a daily basis.

NB. When not in use, leave the 2 x tank connectors disconnected & clipped to the underside of the bonnet.

3) During prolonged periods of non-use, disconnect the spray hose coil.

4) Keep control box interior free of water & paint. Remove any surplus / spillage by using small black rubber plug on the base of the control box.

Technical Information:-

Paint tank capacity:	25 litres
Water bottle capacity:	3.5 litres
Weight – Dry, no tank:	27 kg

ACCESSORIES - How to fit

1) Extended Spray Arm: Fit instead of standard spray arm, locate to the left or right of machine. Re-fit spray head to clear the front wheel. If used at the end of bar to left side, an extended spray coil hose may be required (available on request).

2) Hand Lance: To use the hand lance, first remove spray hose coil from connector & connect hand lance. Turn on paint spray (as if spraying paint). Hand lance is then controlled by its own trigger action.

NB. Choice of fan or straight nozzle.

NB. Take care not to operate spray switch with no connection, the male connector is **NOT** self-sealing.

3) Twin Jet Nozzle: Remove standard nozzle and replace, then operate spray as normal.

4) Running Track Guide: Fit to spray bar mounting post (other side to spray bar). Slide out until correct distance set between centre wheel and centre of nozzle.

5) Chemical Boom: Remove complete spray bar and detach spray head from connector. Attach the chemical boom L-shaped mounting brackets to both of the mounting posts on the GMX – using the double-box adapters provided (sided). Plug in to connector. Spray as normal.

NB. Use of chemicals may require a separate paint tank to avoid cross-contamination. Available on request.

6) Running Track Double Spray Marker:

GMX PARTS LIST

Part No.	Description
Metal Work	
1000X	Handle
1001X	Spray Bar (standard)
1002X	Spray Bar (long)
1003X	Spray Limit Plate
1004X	Gun Holder
1005X	Gun Top
Plastics	
1007X	Spray Switch Housing
994X	Paint Tank (only) – Replacement
994AX	Paint Tank Complete – (spare; chemical use)
995X	Bonnet
997X	Control Box Door
998X	Water Bottle
989X	Paint Tank Lid
BL/BD18	Paint Tank Drain Plug
	Control Box Drain plug
Pump & Electrics	
981X	Pump Complete
982X	Pump Diaphragm
983X	Pump Upper Housing
1029X	Battery Charger
993X	Battery
	Battery Securing Strap
992X	Battery Gauge
Switches	
984XA	Pump Isolator Switch
1032XA	Spray switch (inc. cable & bullet connectors)
Filters	
990X	Tank Basket Filter
991X	Tank Hose Filter
166GM	Spray Housing Filter (top-hat)
Spray Head	
712TK	Spray Housing
743TK	Union Nut
1016X	Nozzle
72TK	Spray Housing Connector
Hoses	
986X	Clear PVC Hose
987X	Spray Coil (standard)
987XA	Spray Coil (long)
987XB	Spray Coil (track spray)

Control Components	
1017X	Paint / Water Tap
720TK	Re-cycle Tap
1015X	Wheel (Pneumatic)
1014X	Wheel (Puncture Proof)
1020X	Snap-Connector (male)
1019X	Snap-Connector (female)
023ACP	Bonnet / Control Door Hinge Rod
24	M8 Star Wheel
1027X	Control Door Latch (complete)
Accessories	
1030X	Bull-Bar handles
1028X	4 – Head Chemical Boom
706/707TK	Hand Lance
021GM	Running Track guide
1040X	Running Track Double spray marker
GMX Spares Kit	
1054X	Contains all commonly used parts

EXPLODED VIEW **CONTENT**

Drawing -1- Control Box

Drawing -2- Paint Tank / Mid-section

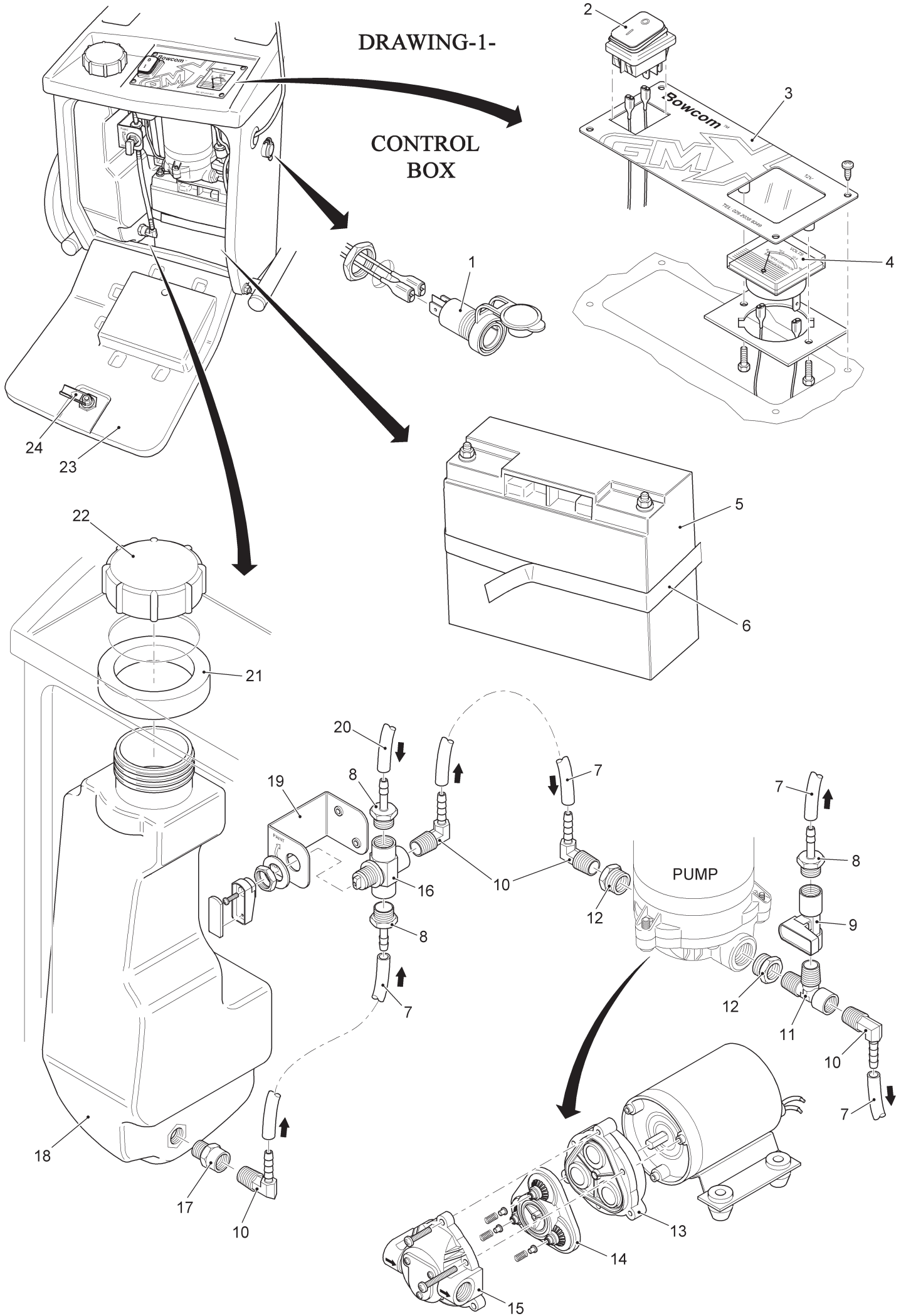
Drawing -3- Spray Assembly

DRAWING -1- CONTROL BOX

Item No.	Description	Part No.
1	Charger Socket	735TK
2	Pump Isolator switch	984XA
3	Dash-Board (inc. gauge plate)	1008X
4	Battery Gauge	992X
5	Battery	993X
6	Battery securing strap	
7	Hose (soft grade)	986X
8	Hose Tail (straight)	1021X
9	Re-cycle tap	720TK
10	Hose Tail (elbow)	1018X
11	T – piece	1024X
12	Pump Reducer	56GM
13	Pump Diaphragm Drive	984X
14	Pump Diaphragm	982X
15	Pump Upper Housing	983X
16	Paint / Water Tap	1017X
17	Water Bottle Reducer	988X
18	Water Bottle	998X
19	Tap Bracket	1006X
20	Hose (hard grade)	986X
21	Water Bottle foam ring	
22	Water Bottle Cap	
23	Control Box Door	997X
24	Control Box Door Latch	1027X

DRAWING-1-

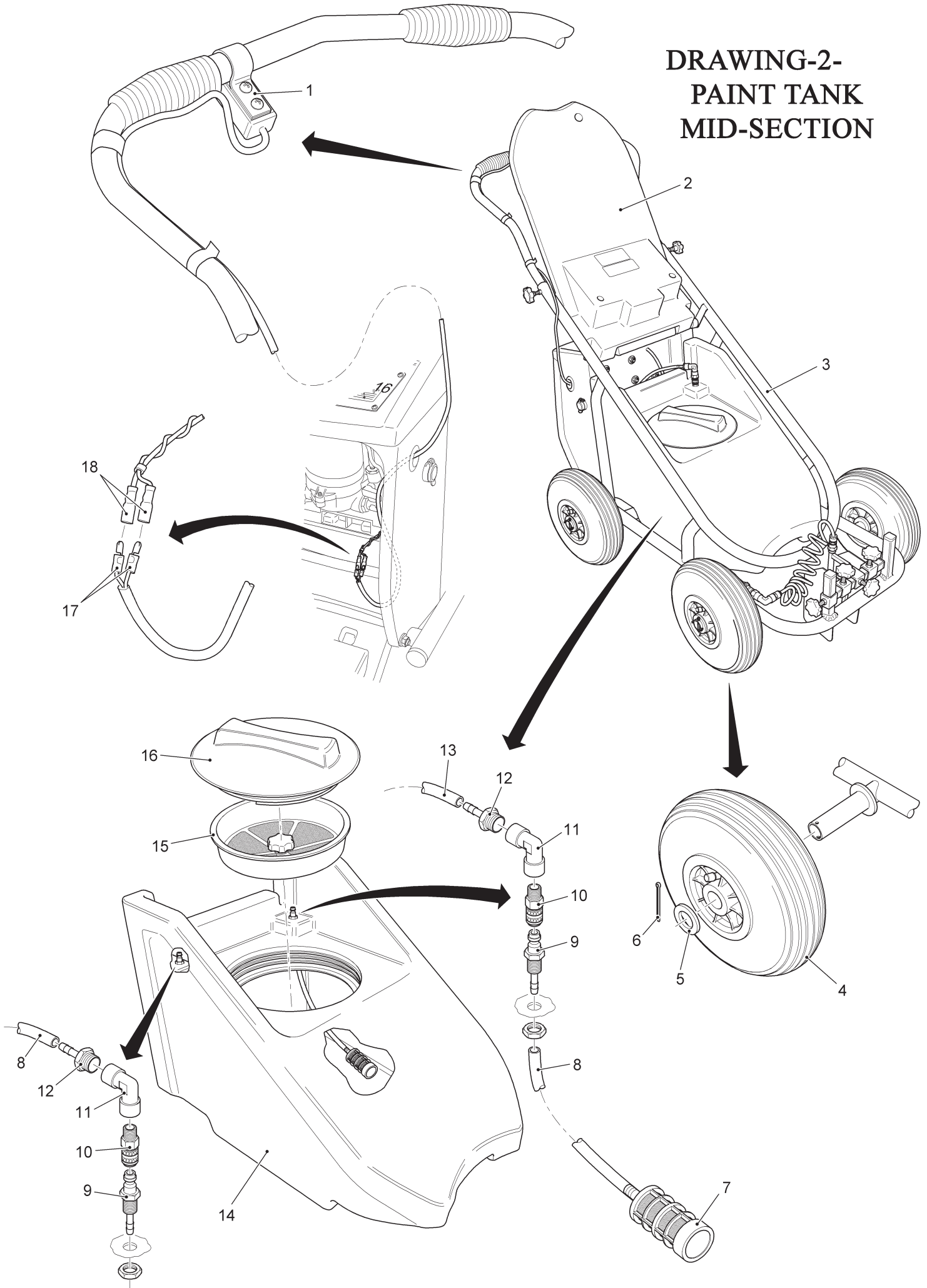
CONTROL
BOX



DRAWING -2- PAINT TANK / MID-SECTION

Item No.	Description	Part No.
1	Spray switch – c/w cable & connectors	1032X
2	Bonnet	995X
3	Chassis	999X
4	Wheel (inc.tyre)	1015X
5	Wheel Washer	
6	Split Pin	
7	Tank Filter	991X
8	Hose (soft grade)	986X
9	Male Snap Connector	1020X
10	Female Snap Connector	1019X
11	Female Elbow	1023X
12	Hose Tail	1021X
13	Hose (hard grade)	986X
14	Paint Tank	994X
	Paint Tank c/w fittings	994AX
15	Basket Filter	990X
16	Tank Lid	989X
17	Bullet Connectors (pair) – male	
18	Bullet Connectors (pair) - female	

DRAWING-2- PAINT TANK MID-SECTION



DRAWING -3- SPRAY ASSEMBLY

Item No.	Description	Part No.
1	Hose (soft grade)	986X
2	Male Snap Connector	1020X
3	Female Snap Connector	1019X
4	Female Elbow	1023X
5	Spray Hose End	1022X
6	Spray Hose Coil	987X
7	Spray Housing Connector	72TK
8	Gun Top	1005X
9	Limit Plate	1003X
10	Gun Holder	1004X
11	Spray Bar (standard)	1001X
12	Union Nut	743TK
13	Nozzle	1016X
14	Top Hat Filter	166
15	Spray Housing Complete	712TK

DRAWING - 3-

SPRAY ASSEMBLY

