

Atom

PITCHMARKING MACHINE

INSTRUCTION MANUAL
& SPARE PARTS LIST



Bowcom™

ADVANCED SPORTS LINE MARKING

www.bowcom.com
t: +44 (0) 29 2038 8349

ATOM – INSTRUCTIONS FOR USE

**** New battery may be partially charged, fully charge before use**

**** Ensure spray switch connected inside control box**

**** Ensure handle secure at chosen height**

- 1) Ensure power turned off on both pump isolator switch (on control panel) and spray switch (on handle bar). Also ensure that the gun spray lever is in the closed position.
- 2) Place 10 litre 'ready-mix' paint container directly on to the Atom – using **only Bowcom Atomic** or **Quantum** paint.
- 3) Replace the paint pail lid, with the holed / clipped lid attached to the Atom.
- 4) Ensure that the clip / lock hose above the spray gun is attached to the 'waste' bottle.
- 5) Fill cleaning bottle with tap water.
- 6) Ensure 'speed-bleed' direction tap (above spray gun) is in the side-ways position (lock-off).
- 7) The machine is now ready to prime.
- 8) Set the spray limit discs to the required line width. Ensure that the spray gun is set high enough for the paint spray to hit the spray discs.
- 9) Turn on the pump isolator switch (located on control panel) – observe the volt meter reading (12 volts). If too low, place battery on charge.
- 10) To activate pump, use the spray switch located on the handle bar.
- 11) To prime the pump: (with the pump activated). Slowly turn the 'speed-bleed' knob to the up-wards position, this will draw through the water & turn to paint in a couple of seconds, depositing the surplus mix into the 'waste' bottle. When paint appears in 'waste' bottle, turn the 'speed-bleed' knob back to central position 'lock-off'.
- 12) Switch off the pump spray switch on handle bars. Turn the 'speed-bleed' knob to downwards position. The ATOM is now ready to paint a line.
- 13) Re-activate the handle-bar spray switch. Then use the handle-bar spray lever to open & close the spray gun for instant start / stop technology.
- 14) **NB: When not marking a line for prolonged period, de-activate the pump by turning off the handle-bar spray switch.**
- 15) Atom Cleaning: Following completion of line-marking, switch off pump. Un-clip the paint suction tube coupling & place onto the 'water' bottle lid.
- 16) For full cleaning process: Repeat steps 6 – 12 above. (paint surplus can be either sprayed on to grass area or deposited into waste bottle (empty out intermittently).

- 17) Additional periodic cleaning: From time to time clean the ATOM using tap water drawn from a 10 litre empty (clean) paint container. This ensures cleanliness of suction tube & filter.
- 18) Nozzle cleaning: Following ATOM cleaning always remove & clean the 'top-hat' filter above the nozzle. Ensure clean & clear water is seen spraying from the nozzle. For additional nozzle cleaning soak overnight using 'Bowcom Multi-flush solution', preferably in an 'ultra-sonic' cleaning bath.
- 19) **NB. If using a part-used pail of 'Atom' or 'Quantum' paint, shake well before use.**
- 20) **Battery Charger:** Use Battery Charger provided. Place 3-pin plug into 240 volt mains socket. Plug other end (12 volt) into trailing socket inside the ATOM **Control Box** (connector fits only one way). A full charge will take up to 10 hours. Full battery should operate pump for several days (dependent on use).

Technical Information:-

Paint tank capacity:	10 litres
Water bottle capacity:	0.5 litres
Weight – Dry, no tank:	22 kg

ATOM PARTS LIST

Part No.	Description
Metal Work	
1056XA	Handle
1049XA	Chassis Tube (left) c/w hose clip fixing
1050XA	Chassis Tube (right)
1002X	Inner chassis extension tube
1004X	Gun Holder
1042XA	Gun Top
81G	Spray Gun
1045XA	Spray arm bracket (L or R)
1044XA	Spray arm
1043XA	Spray disc
Plastics	
1047XA	Atom Body
1048XA	Control box door
	Water / waste bottle
1020X	Paint tank lid c/w male coupler
Pump & Electrics	
272M	Pump Complete
987M	Pump Diaphragm
509M	Battery
510M	Battery Charger
992X	Battery Gauge
Switches	
984XA	Pump Isolator Switch
1032XA	Spray Switch (inc. cable & bullet connectors)
Filters	
991X	Paint Hose Filter
166ATM	Spray Housing Filter (top-hat)
Spray Gun	
278M	Spray cable
1017X	Speed-bleed tap
85GM	Union Nut
ZXS0020	Nozzle (brass /gold)
271M	Nozzle (white)
274M	Nozzle (blue)
Hoses	
986M	Clear PVC Hose
987X	Spray Coil (standard)

Other Components	
1014X	Wheel
24	M8 Star Wheel
1027X	Control Door Latch (complete)
Atom Spares Kit	
1054XA	Contains all commonly used parts

EXPLODED VIEW **CONTENT**

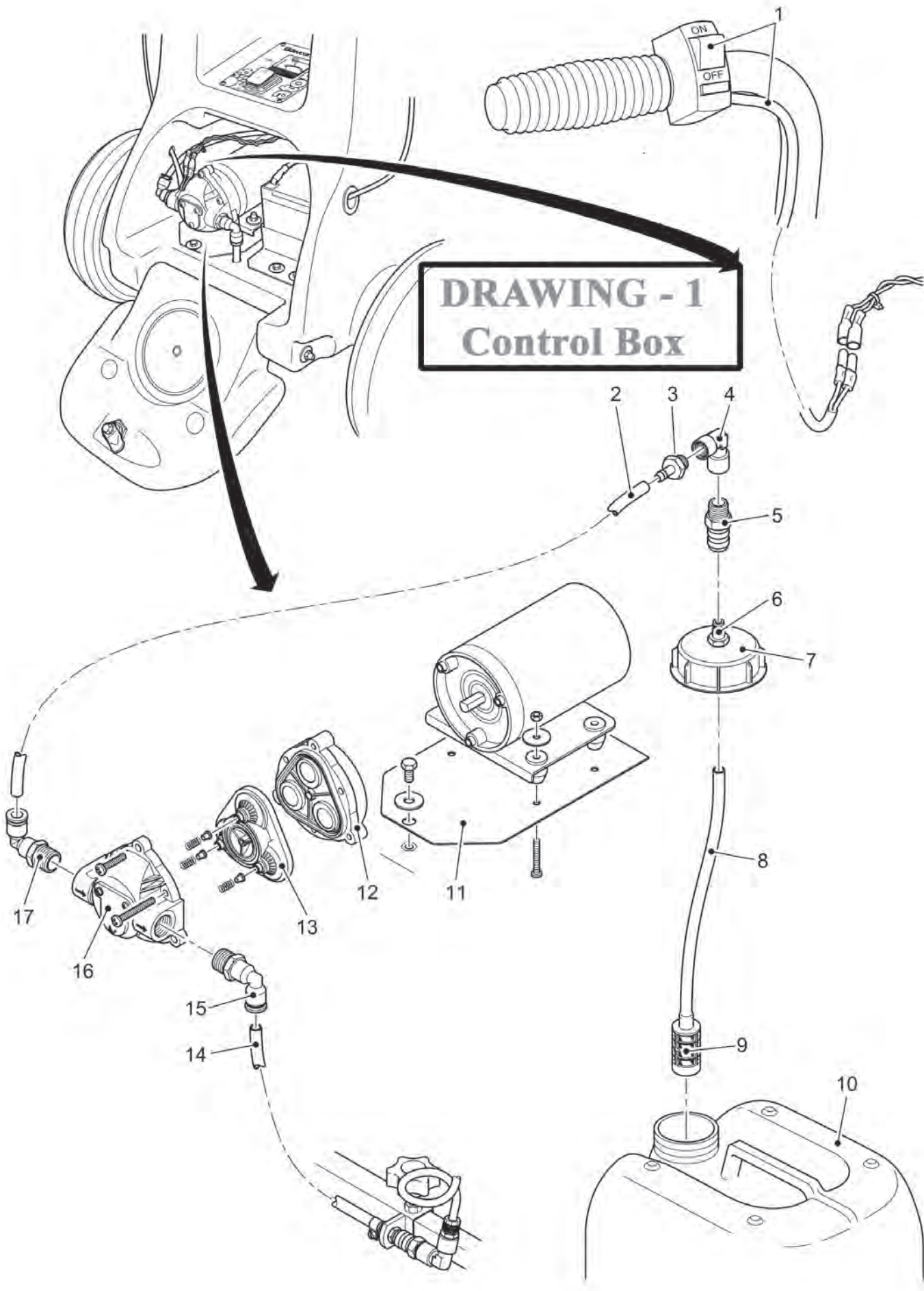
Drawing -1- Control Box

Drawing -2- Dashboard & Axle

Drawing -3- Spray Assembly

DRAWING -1- CONTROL BOX

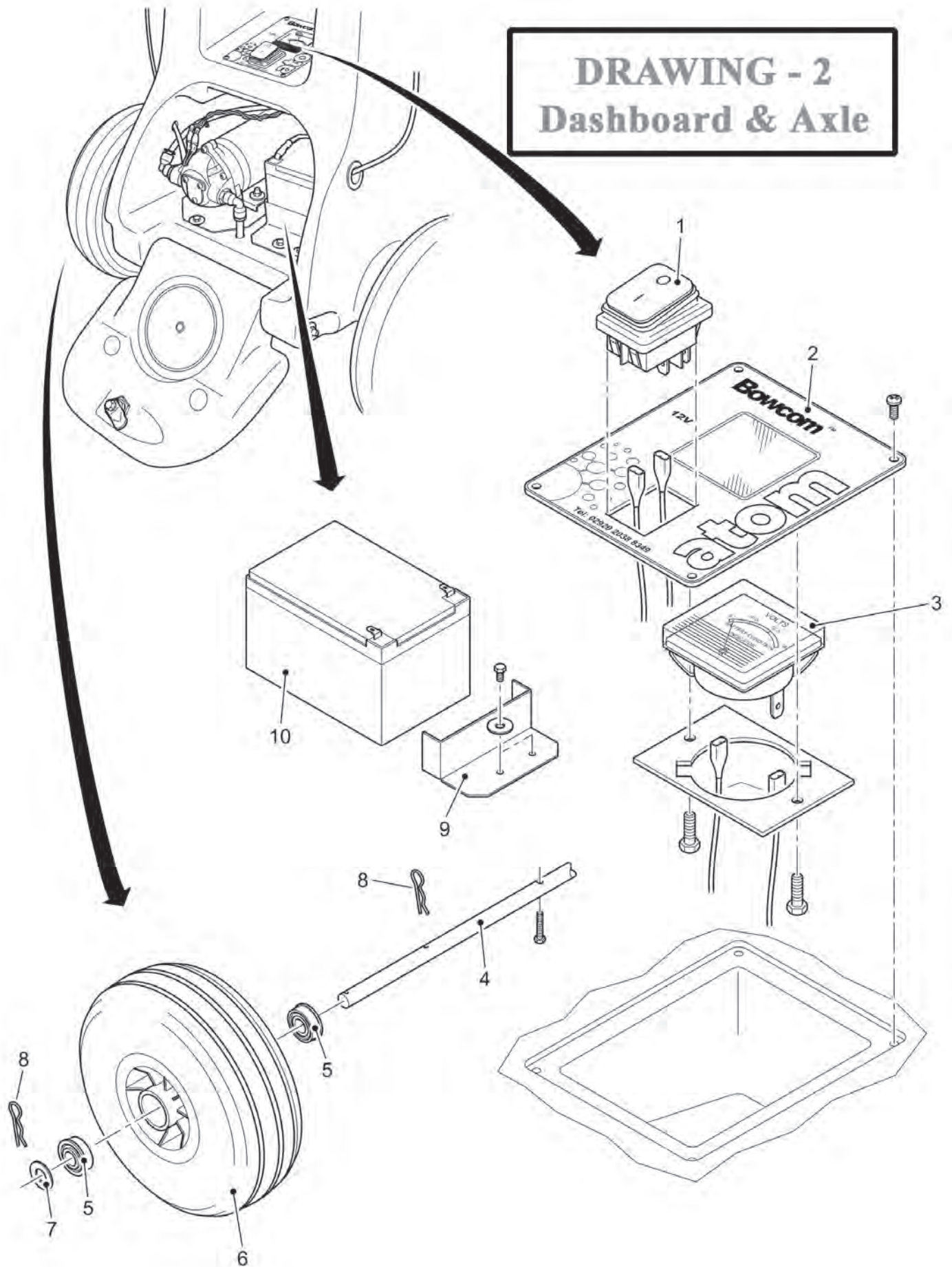
Item No.	Description	Part No.
1	Spray switch (inc. cable & bullet connectors)	1032XA
2	Clear hose	986M
3	Hose tail	1021X
4	Elbow	1023X
5	Female coupler	1019X
6	Male coupler	1020X
7	Holed lid	-
8	Clear hose	986M
9	Tank filter	991X
10	Empty paint pail	-
11	Pump mounting plate	1051XA
12	Pump diaphragm drive	984X
13	Pump diaphragm	987M
14	Clear hose	986M
15	Quick release elbow	985M
16	Pump upper housing	983X
17	Quick release elbow	985M



DRAWING -2- Dashboard & Axle

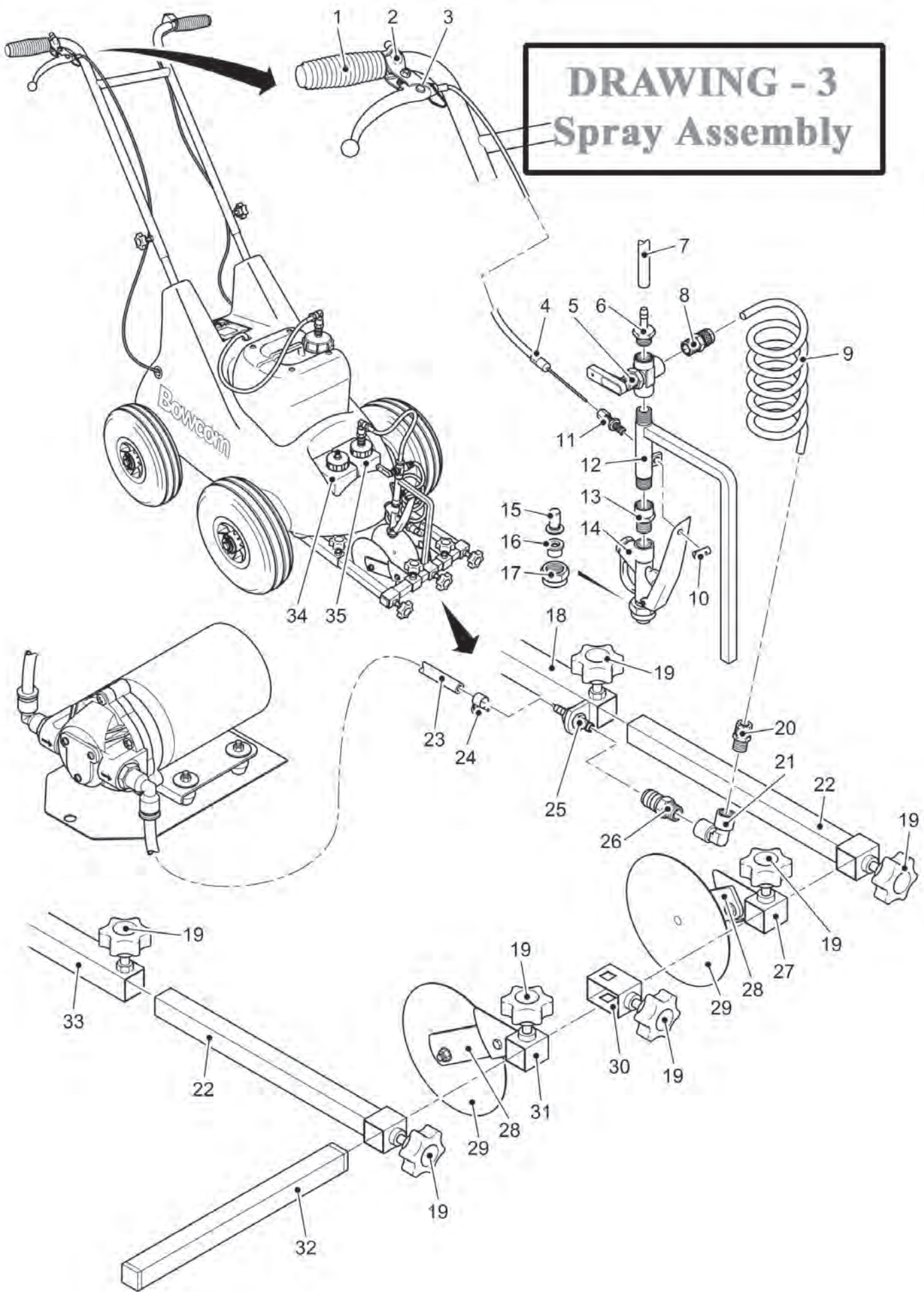
Item No.	Description	Part No.
1	Pump Isolator Switch	984XA
2	Dashboard (inc. gauge plate)	1041XA
3	Battery Gauge	992X
4	Axle	1046XA
5	Wheel Bearing	1014XB
6	Wheel (inc. tyre)	1014X
7	Wheel washer	-
8	R-Clip	-
9	Battery Clamp	1052XA
10	Battery	509M

DRAWING - 2 Dashboard & Axle



DRAWING -3- SPRAY ASSEMBLY

Item No.	Description	Part No.
1	Rubber handle-bar grip	8GB
2	Spray control lever	7GB
3	Split-trunnion (Secures gun cable)	11
4	Gun cable	278M
5	Speed-Bleed direction tap	1017X
6	Hose tail	1021X
7	Clear hose	986M
8	Spray hose end	1022X
9	Spray hose coil	987X
10	Gun cable securing screw	93
11	Gun cable adjuster	31
12	Gun top	1042XA
13	Gun top reducer	988X
14	Spray gun	81G
15	Top hat filter (fine)	166ATM
16	Hollow cone nozzle (white)	271M
17	Union Nut	85
18	Chassis box tube (left hand)	1049XA
19	M8 star wheel	24
20	Spray hose end	1022X
21	Elbow	1023X
22	Inner chassis box tube	1055XA
23	Clear hose	986M
24	Mini-jubilee clip	-
25	Male coupler	1020X
26	Female coupler	1019X
27	Spray disc arm bracket (left hand)	1045XA
28	Spray disc arm	1044XA
29	Spray disc	1043XA
30	Gun holder	1004X
31	Spray disc arm bracket (right hand)	1045XA
32	Spray bar	1001XA
33	Chassis box tube (right hand)	1050XA
34	Clean water bottle	-
35	Waste water bottle	-



DRAWING - 3
Spray Assembly